



# INSTALLATION INSTRUCTIONS

Accessory  
HATCH TENT KIT

Application  
2014 CR-V

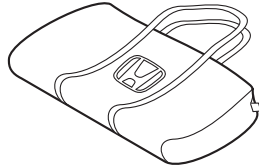
Publications No.  
All 50018

Issue Date  
JULY 2013

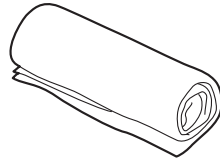
Put this information in the glove box with the vehicle owner's manual

## PARTS LIST

Tent bag



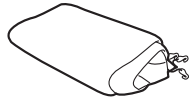
Tent



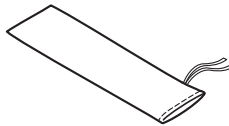
2 Tie straps



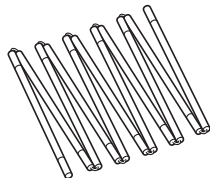
Rain cover



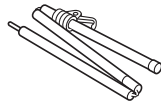
Pole bag



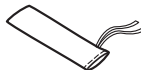
2 Tent poles



2 Awning poles



Stake bag



13 Stakes



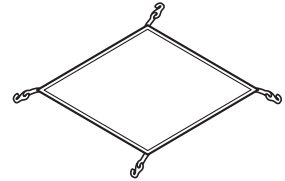
4 Guide ropes



2 Awning pole caps



Gear loft



## USE AND CARE

### CAUTION:

- Never smoke inside the tent. Never use candles, light matches or allow any type of open flame in or near the tent.
- Do not cook inside the tent.
- Do not store flammable liquids inside the tent.
- Allow adequate ventilation inside the tent at all times.
- Never run the engine when the tent is attached to the vehicle.

### WARNING:

Keep all flame and heat sources away from this tent fabric. This tent is made with flame-resistant fabric which meets CPAI-84 specifications. It is not fireproof. The fabric will burn if left in continuous contact with any flame source. The application of any foreign substance to the tent fabric may render the flame-resistant properties ineffective.

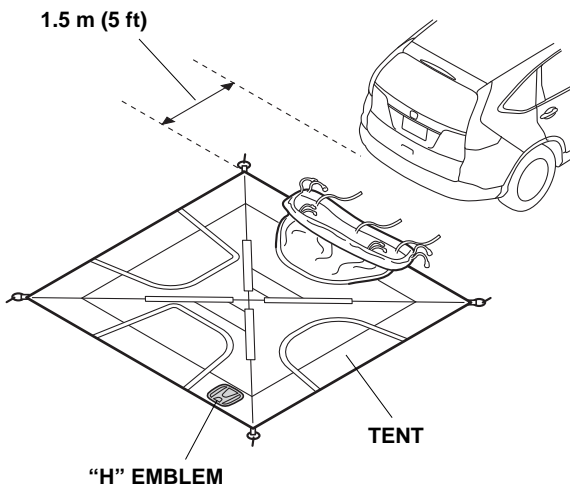
## INSTALLATION

### Attaching the Tent to the Vehicle

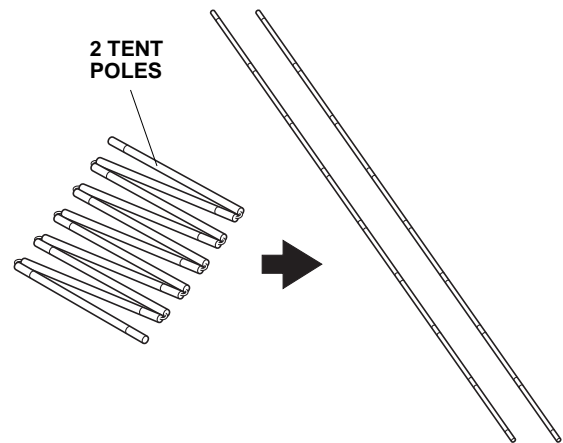
#### NOTE:

- Leaving the tailgate open for an extended amount of time will drain the battery.
- Allow the exhaust pipe to cool down for at least 20 minutes before you attach the tent to the vehicle.
- The tent is designed to add additional space to your vehicle while parked. It is not intended to be used when the vehicle is moving.
- The tent can also be used as a standard ground tent by zipping up the rear sock.
- If the tent is not going to be attached to the vehicle, assemble the tent as described, but move it away from the vehicle.
- Make sure the vehicle and tent are clean and completely dry before installation. If moisture under the tent is allowed to dry, it may cloud the paint. If the tent gets wet, remove it and allow it to air-dry completely.

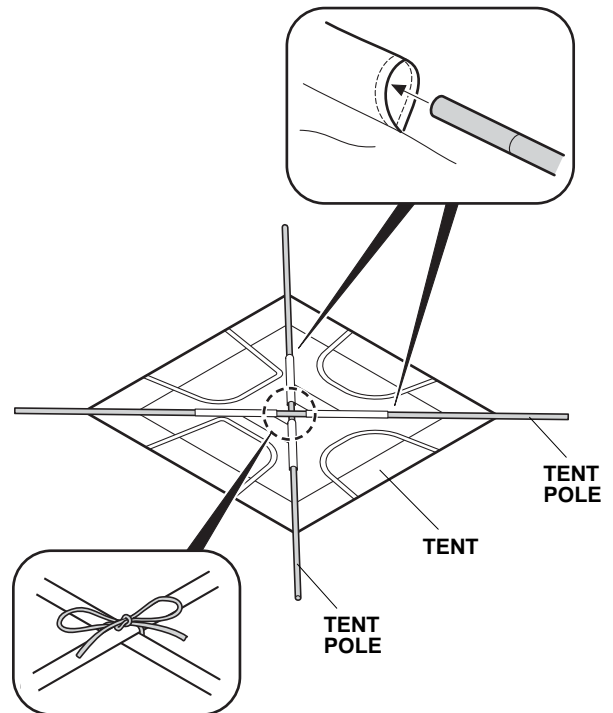
1. Park the vehicle on smooth level ground, with the transmission in Park (auto transmission), or neutral (manual transmission). Apply the parking brake.
2. Remove the tent from the tent bag, and lay it flat on the ground with the straps facing the rear of the vehicle, and the "H" emblem away from the vehicle. Do not stake the tent at this time.



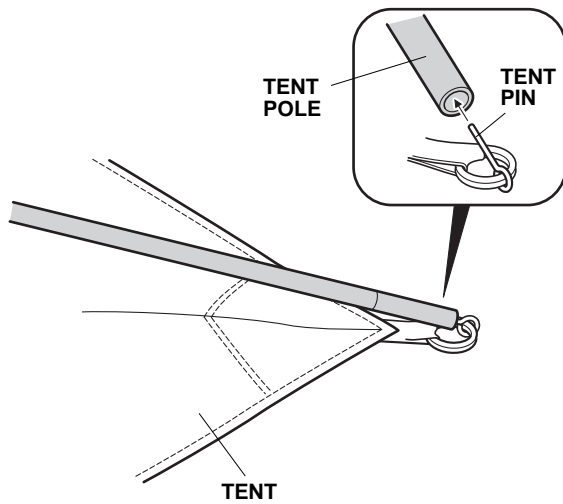
3. Unfold the tent poles (11 segments each) and assemble them into one long pole. Assemble the other connected tent pole the same way.



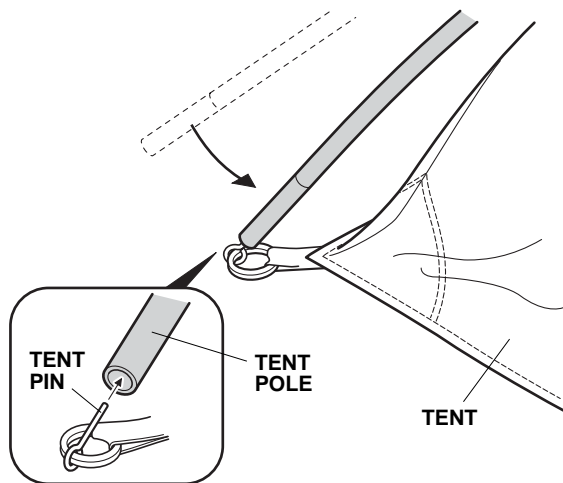
4. Slide each connected pole through the sleeves in the roof of the tent.



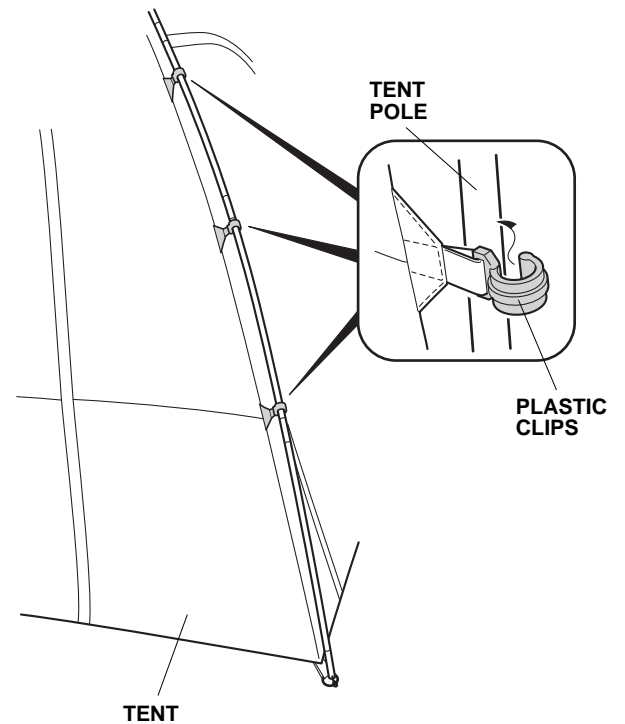
5. With the help of an assistant, set-up the tent:
  - Starting at any corner, insert the corner tent pin into the bottom of the tent pole.



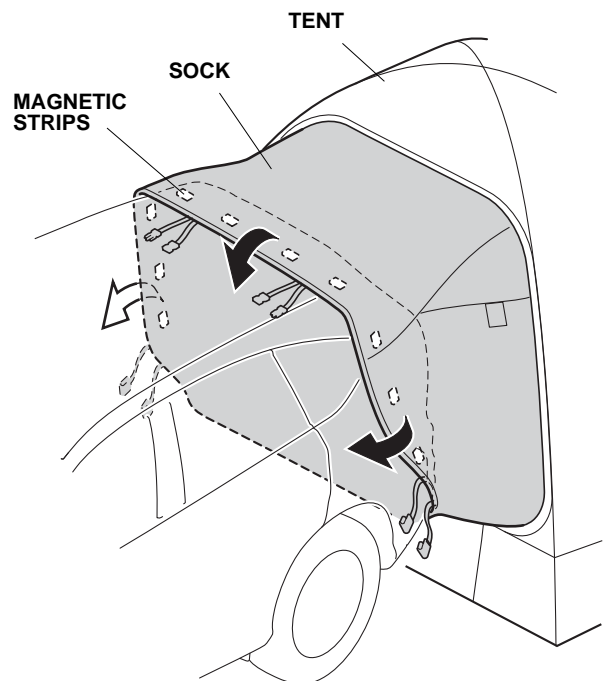
- At the opposite corner of the tent, walk towards the tent while you flex the tent pole and stand up the center of the tent. Insert the tent corner pin into the bottom of the tent pole.
- Repeat this procedure to stand up the remaining tent pole.



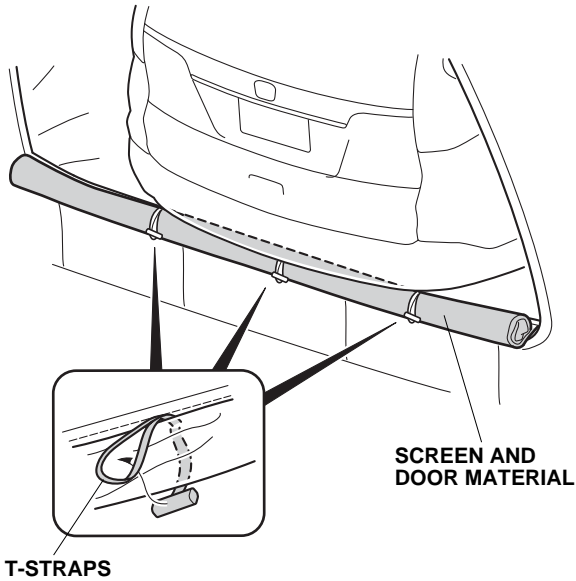
- When the tent is standing, attach the plastic clips at each corner around the tent poles.



6. Move the tent towards the rear of the vehicle. Slip the sock over the roof and the around the the sides of the vehicle. The magnetic strips will hold the sock to the vehicle. Install the magnetic strips carefully because the magnets are very strong.



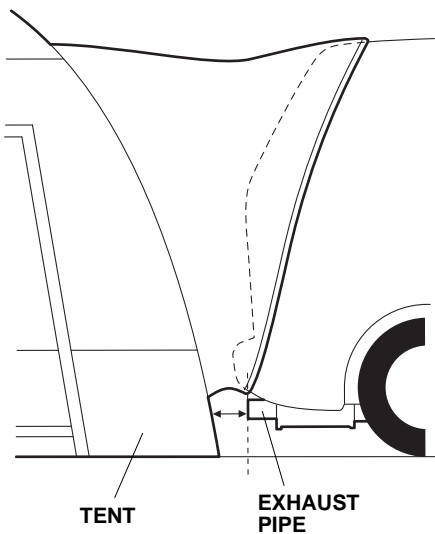
- From inside the tent, unzip the rear door and rear screen that face the vehicle. Roll up the screen and the door material, and secure them to the tent with the sewn-in T-straps.



- Stretch the bottom elastic strap across the rear face of the bumper. Make sure the tent material is tight against the rear face of the bumper, with the exhaust pipe outside the tent. Go outside of the tent, and make sure the exhaust pipe is outside.

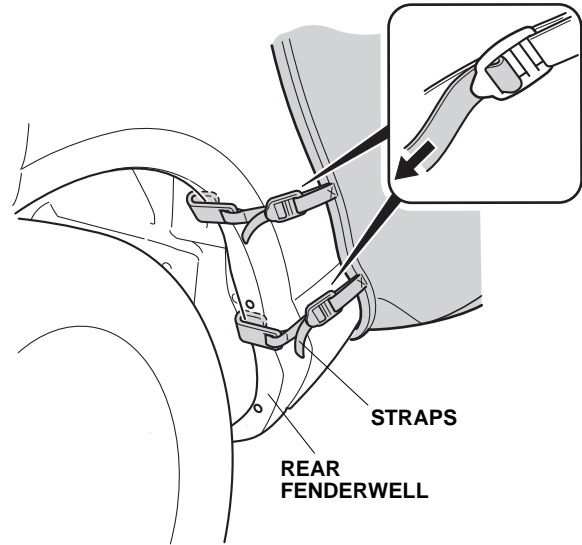
**WARNING**

- Exhaust contains poisonous carbon monoxide gas that can build up to dangerous levels in enclosed areas.
- Breathing carbon monoxide can cause unconsciousness or death.
- Never start or run the vehicle's engine when the tent is attached to the vehicle.



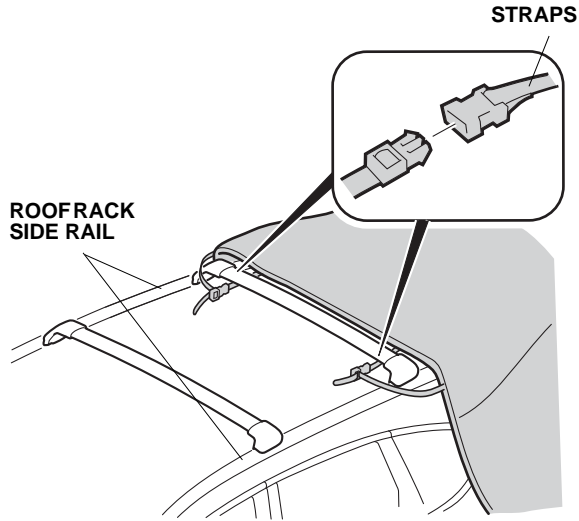
- Attach the outside straps to the rear fenderwell, then tighten the straps.

**NOTE:** If the vehicle is equipped with splash guards, install the lower straps to the edge of the splash guards.

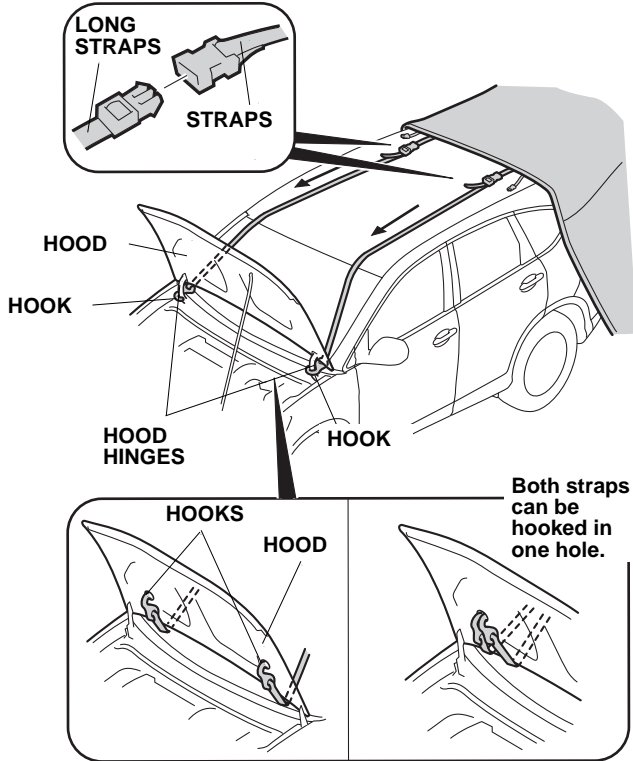


- Along the roof of the vehicle, attach the straps to the roof rack (if equipped), or extend the long straps forward and attach the hooks to the hood hinge or hood frame. Tighten the straps to secure the tent.

**With Roof Rack (Side Rail Type Only)**



**Without Roof Rack**



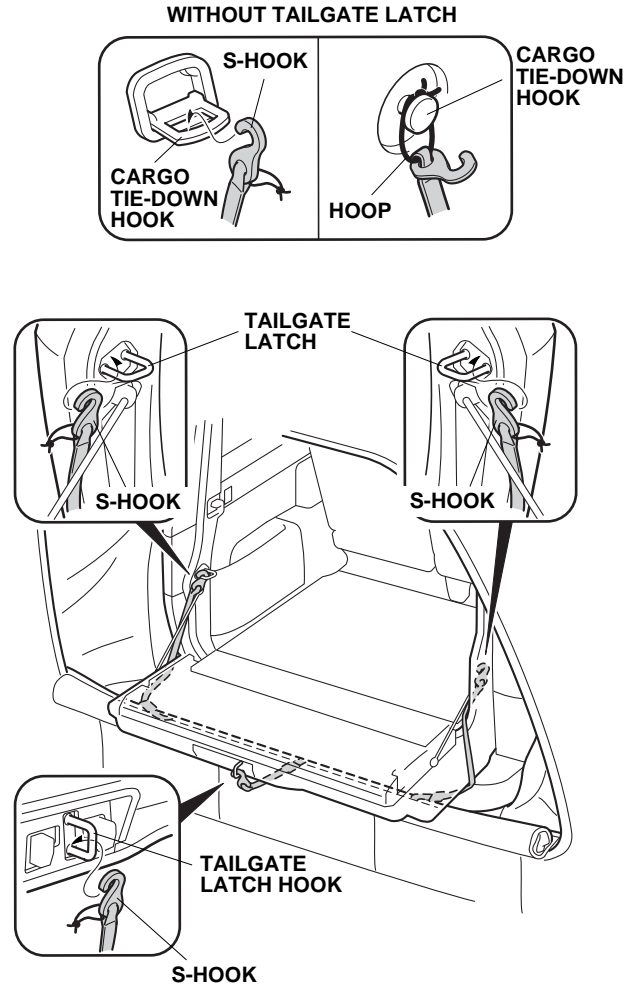
**WHEN THE HOOKS CANNOT BE INSTALLED TO THE HOOD HINGE**

Both straps can be hooked in one hole.

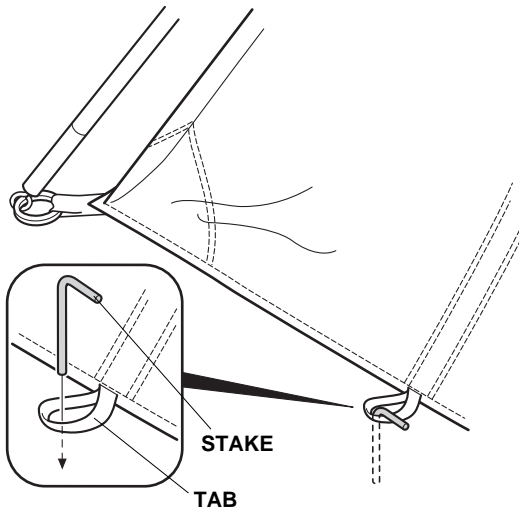
**When Using the Hatch Tent with the Tailgate Open**

**NOTE:** Leaving the tailgate open for an extended amount of time will drain the battery.

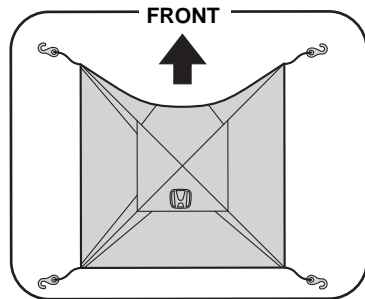
- Inside the tent, attach the two outer S-hooks from the tent to the tailgate latches, or to the cargo tie-down hooks inside the vehicle. Attach the center S-hook to the tailgate latch hook.



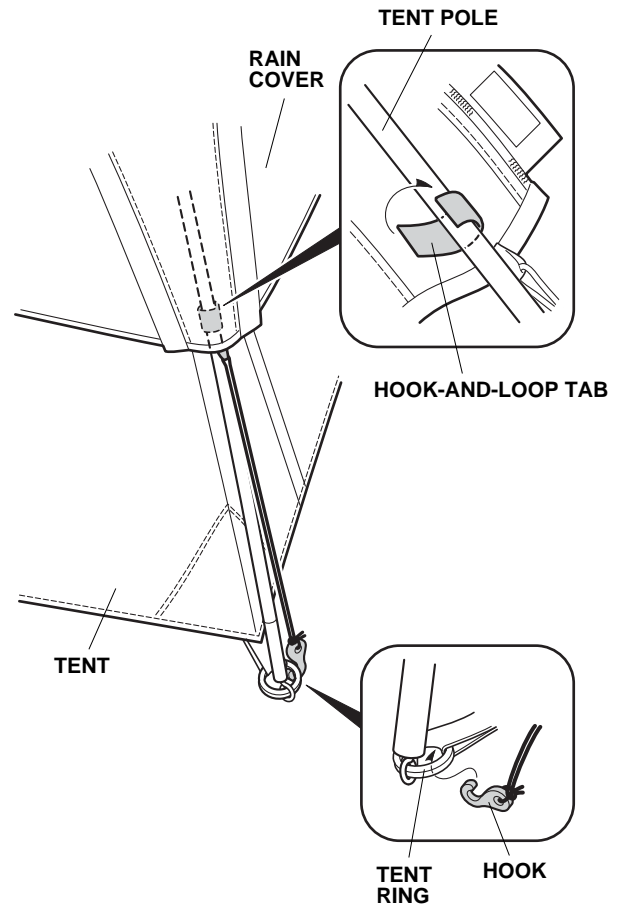
12. At each of the four corners, stake the tent down with one tent stake through the tab.



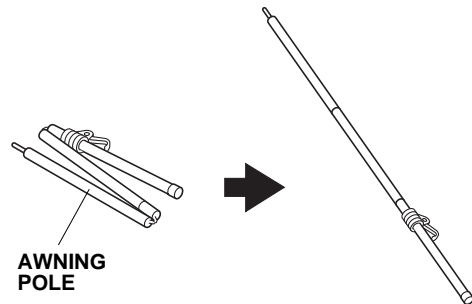
13. Drape the rain cover over the tent, and position the awning portion over the front door opening.



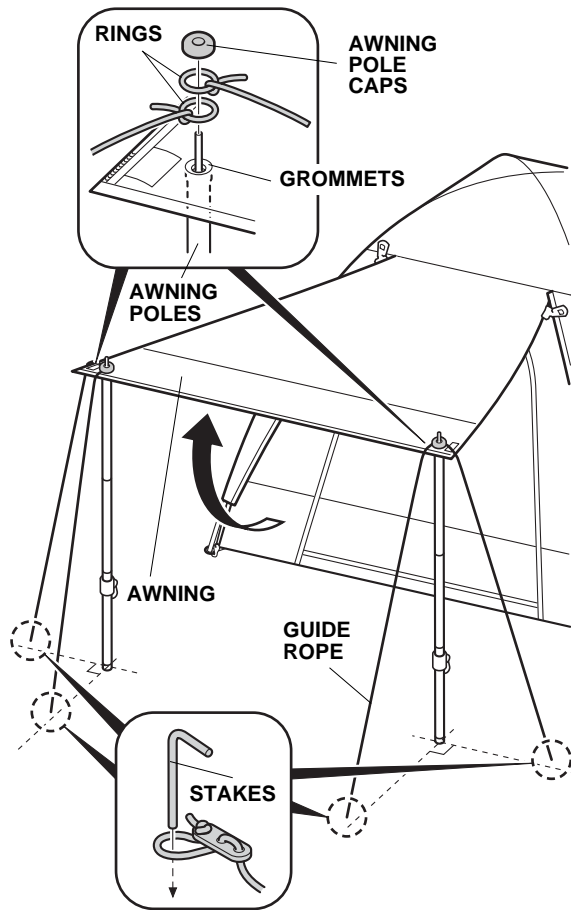
14. Attach the hook on each corner of the rain cover to each loop on the tent. Wrap the hook-and-loop tabs around each pole to hold the rain cover in place.



15. Assemble the two awning poles.



16. With the help of an assistant, place the tip of one awning pole through the grommet at the corner of the awning. Insert the ring of the guide rope around the tip of the awning pole, and stake the other end to the ground using one stake.



17. Pull the awning tight, adjust the height of the awning using the telescopic pole, and secure the awning to the ground using an additional stake and guide rope. Secure the other pole using the same procedure. If necessary, adjust the guide rope length using the adjuster on the rope.

18. Inside the tent, install the four hooks on the gear loft to the four hoops on the tent.

